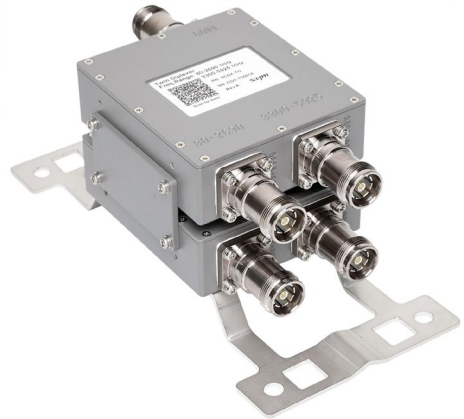


# 80-2690 & 3300-5925 MHz Diplexer for CBRS/C-Band

## SCDX-SO & SCDX-TO

Outdoor rated Diplexer for 80-2690 & 3300-5925 MHz Band Combining for multi-band DAS.

- Easy integration of CBRS/C-Band combining in the multi-band DAS
- Low Insertion/High Port Isolation
- 150W RF Power per Port
- Low PIM Rated
- Outdoor IP67 & Salt Fog Rated
- Goretex Plug and Ground Terminal
- Wall/Pole Mountable Diplexer
- Single & Twin Configuration
- Compact Size for Easy Installation



Parameter		Specifications	
Model	Single	SCDX-SO	
	Twin	SCDX-TO	
Input Port Number		Port 1	Port 2
Freq. Range [MHz]		80-2690	3300-5925
Insertion Loss [dB]		0.3	
Return Loss [dB]		18	
Port Isolation [dB]		50	
Power Rating [W]		150 Avg. per port	
PIM [dBc]		-161	
IP Rating		IP67, 30-day Salt Fog IAW ASTM-B117	
Protection		Goretex Vent Plug & Ground Terminal (6 AWG)	
Operating Temp. [°F]		-40 to +149	
RF Connector		4.3-10 Female	
Size (W x H x D)		Single: 3.54" x 3.98" x 1.26", Twin: 3.54" x 3.98" x 2.83"	
Weight [lb]		Single: 2.0, Twin: 4.0	

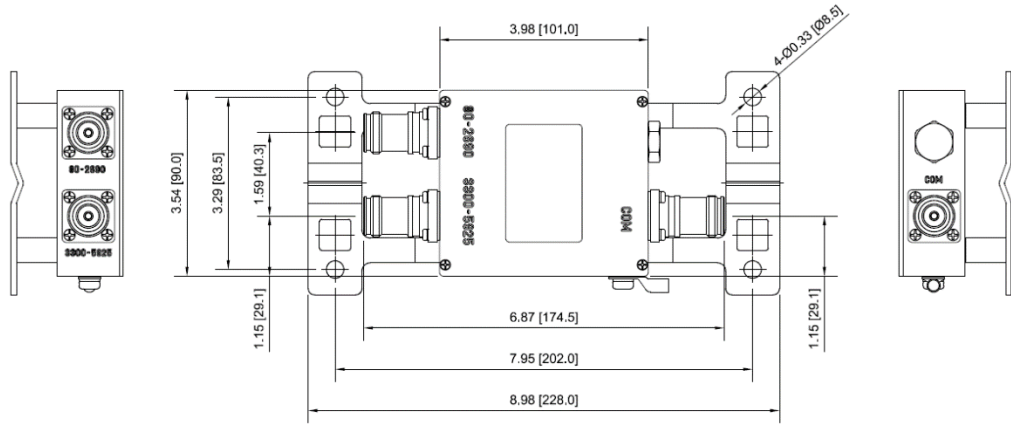
\* Specifications are subject to change without prior notification.

Rev.3

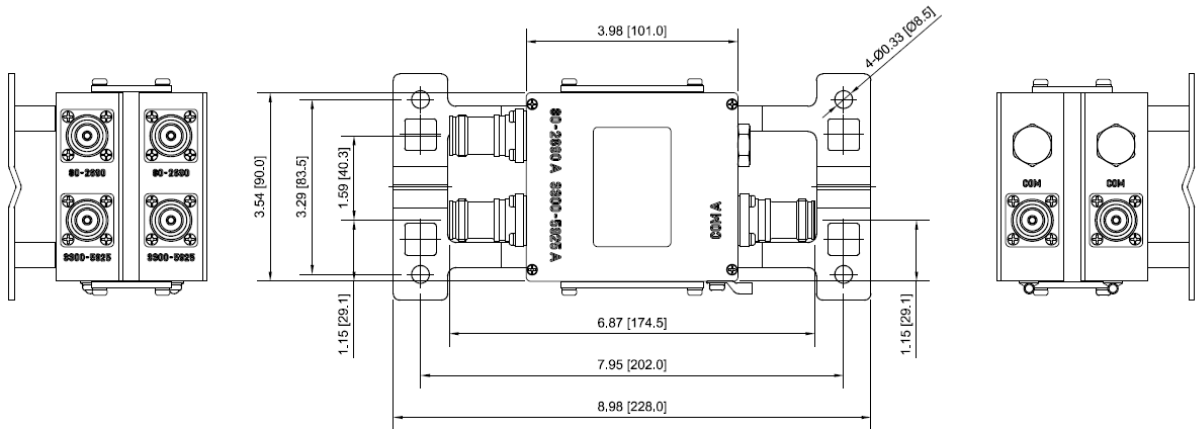
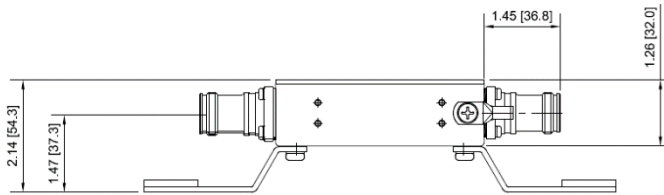
# 80-2690 & 3300-5925 MHz Diplexer for CBRs/C-Band

## SCDX-SO & SCDX-TO

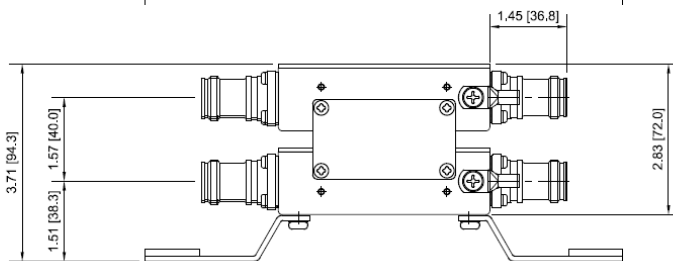
### Mechanical Drawing



SCDX-SO



SCDX-TO



Inch [mm]